

# FRANC / GULDEN

SUBSOILERS



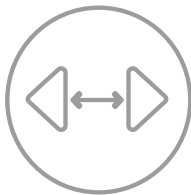
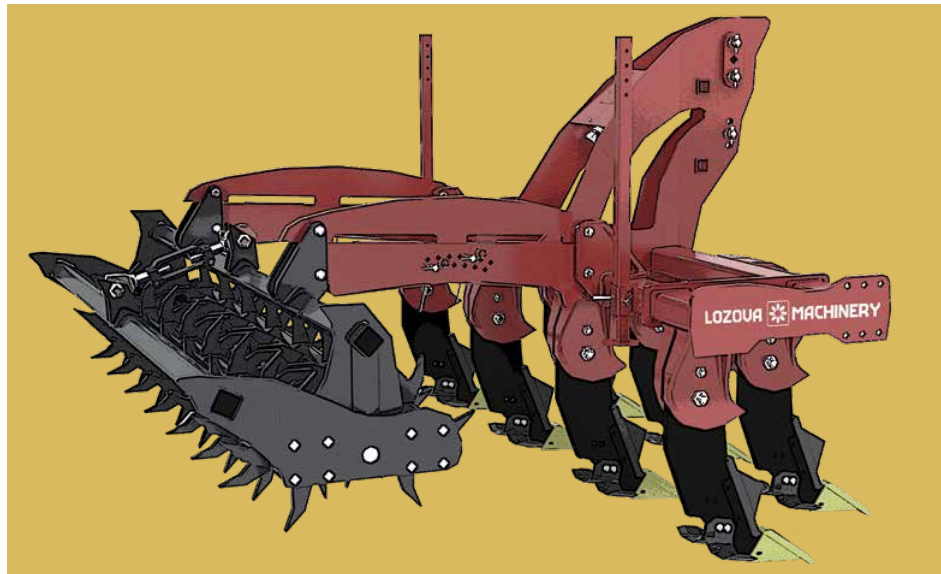
 **LOZOVA  
MACHINERY**

***MAKE YOUR MONEY WORK!***



# FRANC GULDEN

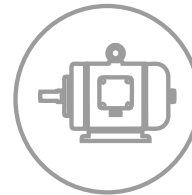
THE BEST ALTERNATIVE TO PLOWING  
... AND SOIL BREATHES!



2,5 - 4 m  
8' - 13' ft



min 160 hp



min 3,6 ha/h  
8.8 acre/h



Design characteristics of working tools

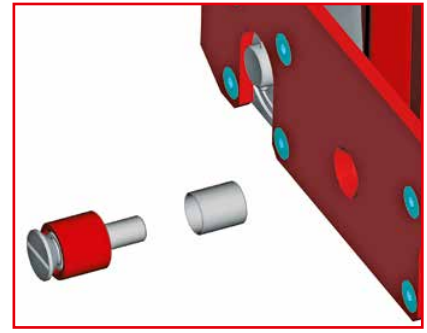
Quick-change front point and shim protect the tine from wear, and the geometric configuration allows deeper penetrating of the working tool into firm soil.

High-strength straight tine subsoils at right angle, preventing lateral displacement of the soil, and requires lower pulling force compared to "paraplau" tines.



Firm soil wave blasting effect

Side wings, fixed with bolts on the tine, allow subsoiling between the tines, providing maximum moisture penetration into lower layers, as well as to improve moisture conservation and air drainage. Application of the side wings at high speed causes the "firm soil wave blasting" effect.



"ZERO MAINTENANCE"

Bimetallic plain bearings are installed in the roller balancer and in the axle of the tool depth adjustment mechanism. They ensure reliable operation for a long time. "Breaking" of the pumping points is excluded. Virtually no lubrication point is present throughout the implement.

## HARD-SHELL — share points for franc and gulden subsoilers



### THREE TIMES LONGER WORK!

- The main feature of HARD-SHELL quick-change hardmetal point is long term durability. HARD-SHELL significantly reduces maintenance costs and provides high quality work at constant depth. The point is welded and can be mounted both on FRANC and GULDEN.
- Hardness is more than 88 HRC.

- Quick-change point made of boron steel with built-in wings for GULDEN. Shares with wings subsoil and loosen the top soil very well.
- Hardness is more than 88 HRC.





Protected frame

Shear bolt is applied for protection against exceeding loads, excluding the possible damage to frame.

FRANC-3sp is equipped with mechanical combined compression spring and separation bolt to prevent damage of frame.



Advantages of the straight tine

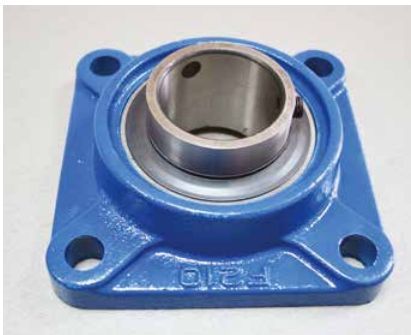
Subsoiler's tines penetrate into the soil at right angle, move the plough-pan, break it with additional wings, cut weed roots. Such tines require lower draft (compared to "paraplau" tines). They are applied for subsoiling both lower soil and top soil during min-tillage.



Simple depth adjustment

Depth can be simply adjusted by means of the pins, which limit the displacement of the roller frame parallelogram mounting.

Adjustments of the working depth for the first and second rows are independent of each other. The depth is adjusted by pins on the roller mounting parallelogram for the front tines and on the rear tines mounting parallelogram.



Premium class bearing unit

Subsoilers are assembled with superreliable maintenance-free HARP AGRO UNIT bearing units. Application of high-quality German plain bearings prevents wear of the roller adjustment mechanism rotary units.



Balancing mounting of roller

Balancing mounting of the doubled roller provides the constant contact of both rollers with the soil. The central screw allows to adjust the roller relatively to longitudinal plane.



Advantages of self-cleaning roller with spikes

The subsoiler is equipped with a doubled crowfoot roller.

Spikes break large clods, throw them on the surface, prepare and level the soil, facilitating further final seedbed preparation. Rotating spikes embed crop residues into the lower layers of soil and mix them with soil at a depth of 15-20 cm.



Advantages of subsoiling

Roller adjustment for choosing the tillage type

After application of the horizontal cultivation implements the soil became compacted, facilitating hard water motion and roots development.

FRANC and GULDEN subsoilers break the plough-pan and recover the soil, encouraging roots development and free circulation of water and nutrients.

Depending on the tillage purposes the rollers can be set for uniform work, as well as only front/rear roller can be accented. For this purpose the roller draught shall be adjusted.

## HF Agro fertilization system for FRANC and GULDEN subsoilers

As an option, the subsoilers can be equipped with precision fertilization systems. They can be equipped with both the HF Agro module (applicator) for applying liquid fertilizers (basic and starting), and a system for deep application of granular fertilizers.



This allows clients to apply fertilizer in one pass simultaneously with the tillage.

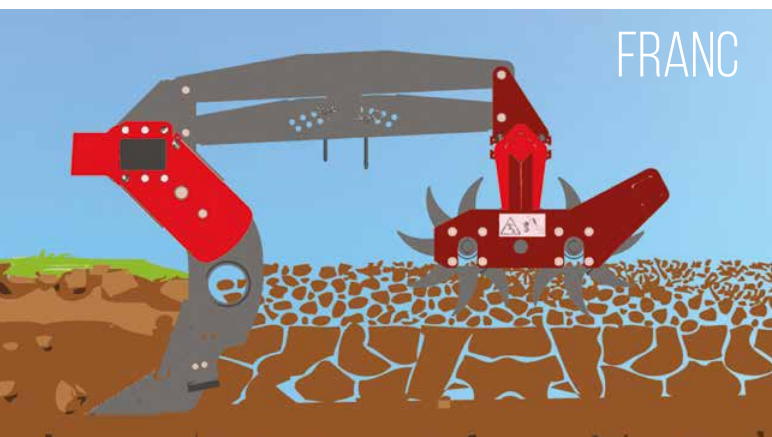


### For liquid fertilizers

- 12V power supply from the tractor battery.
- tank volume - up to 1000 liters (at the request of the customer).
- semi-automatic or automatic (optional) system control
- optional control of pouring out on each line.

### For granular fertilizers

- the depth of application can be adjusted (150 or 250 mm).
- mechanical drive of the seeding mechanism (from the drive wheel).



The implements perform chisel tillage, leaving on the surface 30-60% of crop residues, which solves the problem of soil erosion, maintaining the organic composition of the soil and ensuring its long-term fertility

## TECHNICAL DATA

	FRANC-2,5	FRANC-3	<b>NEW</b> FRANC-3sp	GULDEN
Working width, m; ft	2,5/8'	3/9'	3/9'	4/13'
Tractor power, hp	min 160	min 240	min 270	min 350
Coupling with tractor	mounted		mounted	mounted
Basic weight, kg; lbs	1355/2.987	1650/3.637	2302/5.075	2522/5.560 2892/6.375
Number of discs	5	7	7	front row - 7; rear row - 6
Operating depth, cm; inch	min 45 /18"		min 45/18"	front row up to 45 cm/18"; rear row up to 25 cm/10"
Operating speed, km/h; mph	8...12 /5-7.5		8...12 /5-7.5	8...12 /5-7.5
Efficiency, ha/h; acre/h	max 2,23 /5.5	max 2,88 /6.6	max 2,88/6.6	max 3,58 /8.8
Fuel consumption, l/ha; gal/ac	10...18 /1.1-1.9		10...18/1.1-1.9	10...18/1.1-1.9
Fertilizers application norm, kg/ha	30...500	30...500	30...500	—
Fertilizers application depth, cm	25	25	15/25	—
Total volume of tanks for fertilizers, l	500	750	750	—
Transport dimensions (length x width x height), mm	2860x2479x1885	2940x3000x1950	3330x3000x1950	4344x4054x2053